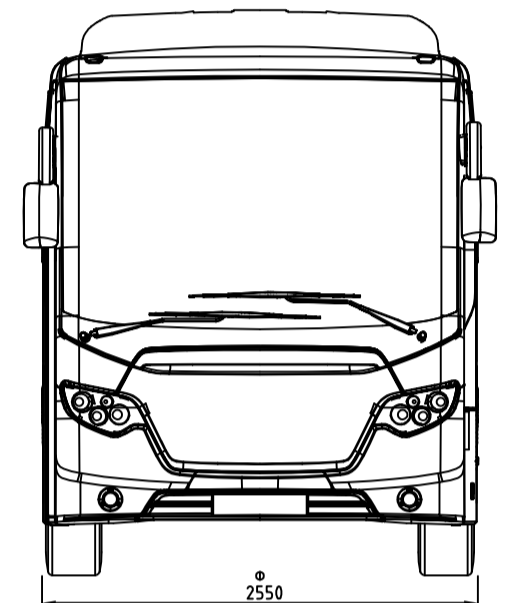
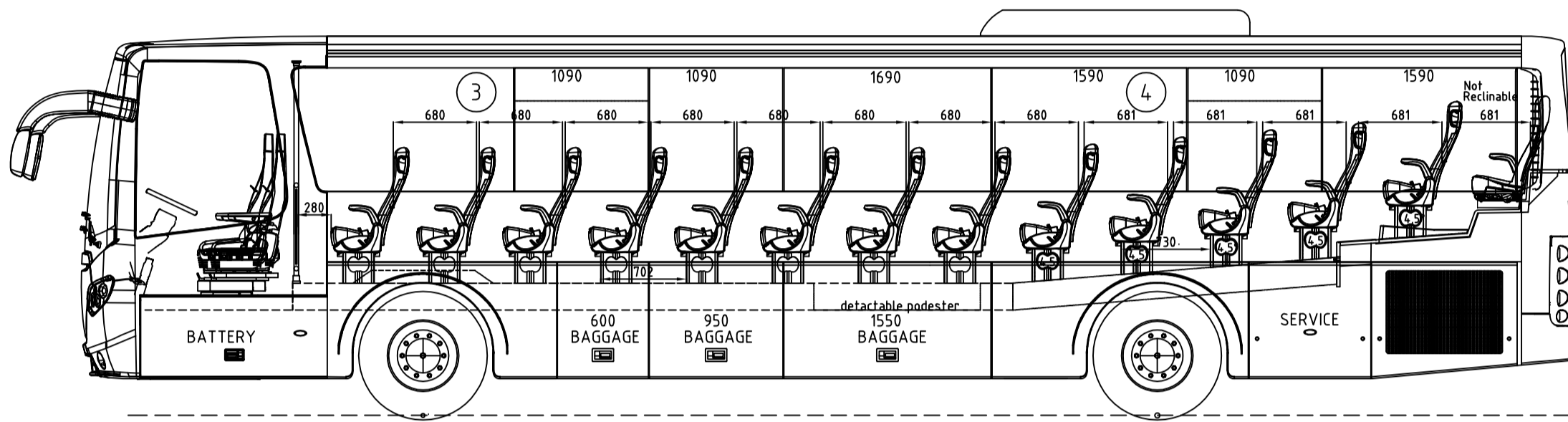
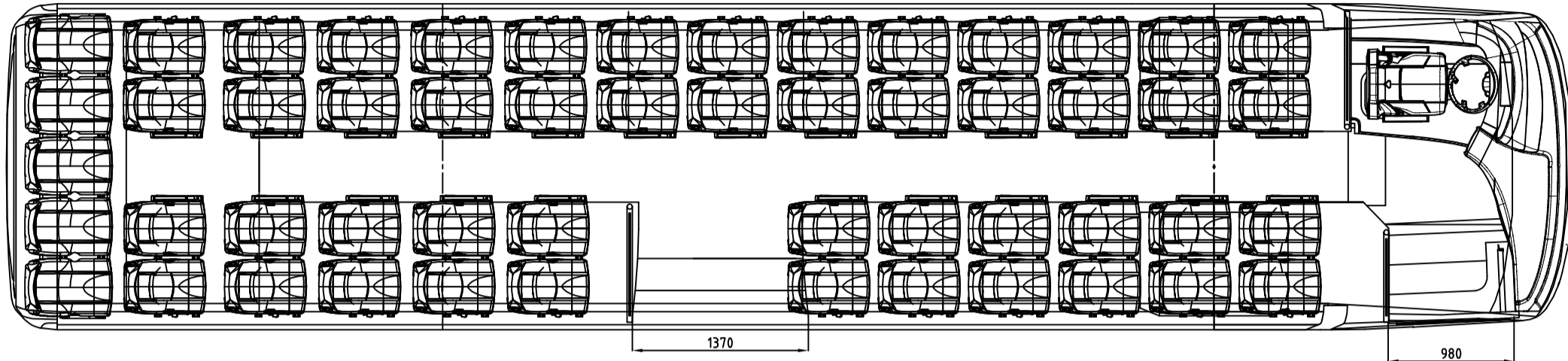
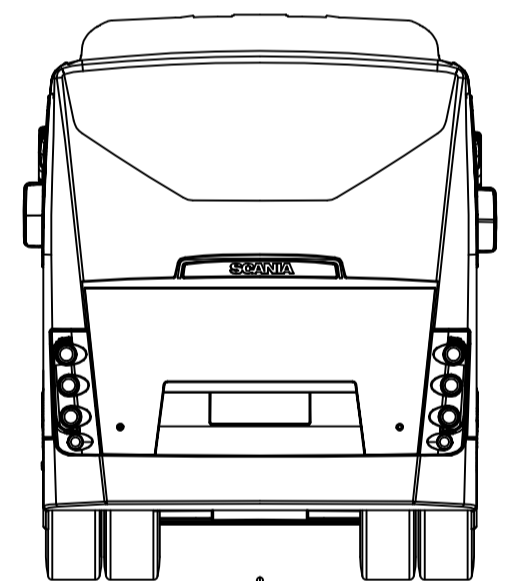
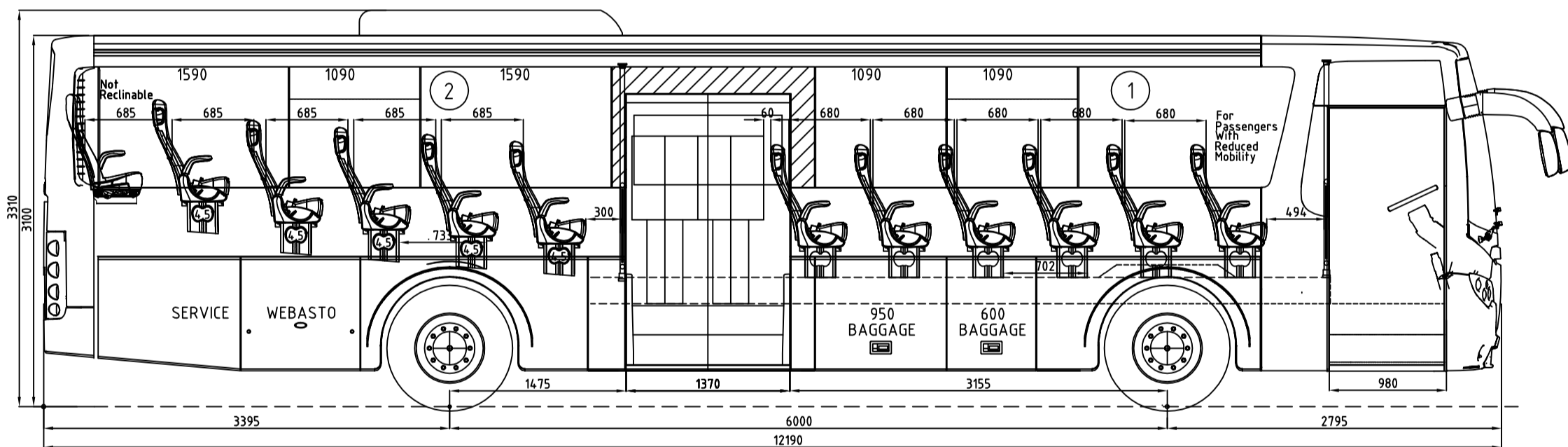


PRELIMINARY LAYOUT

- Chassis - K 4x2 (V3250/V3290)
- Bus length - 12,2m
- Interior dimensions - acc. directive 2001/85
- Number of seats - 53 total number of seats
 - 53 regular seats
 - 0 seats with tilttable attachment
 - 0 folding seats
 - 2 seats for passengers with reduced mobility
 - 0 place for a wheelchair
 - 0 place for a baby carriage
 - 0 folding seat for guide
 - 0 standing passengers
 - 0 drivers cabin
- Free space between seats:
 - Area number 1: 680mm
 - Area number 2: 685mm
 - Area number 3: 680mm
 - Area number 4: 680mm

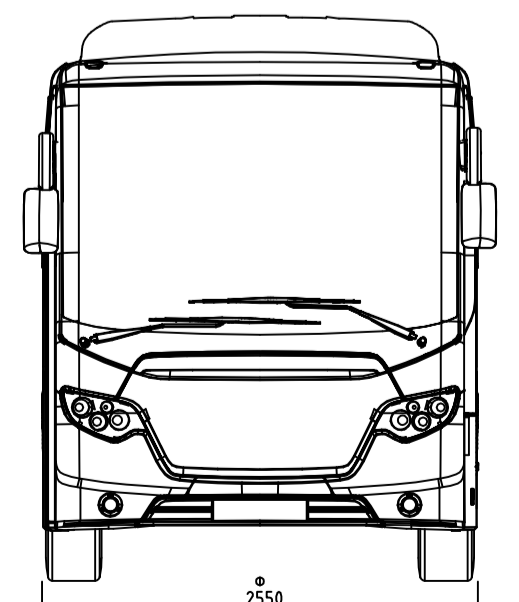
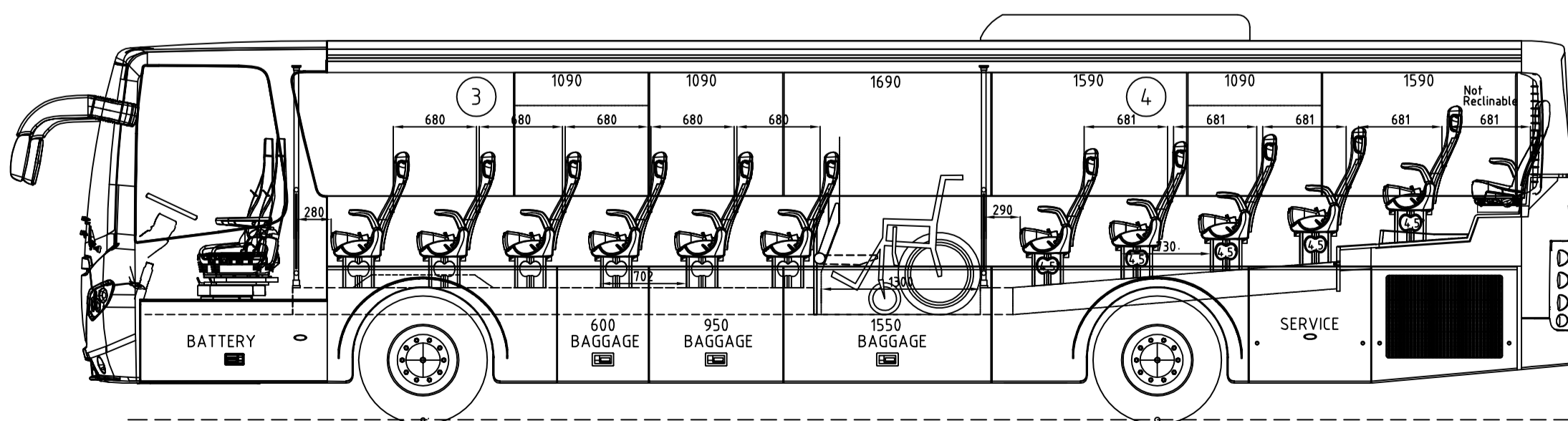
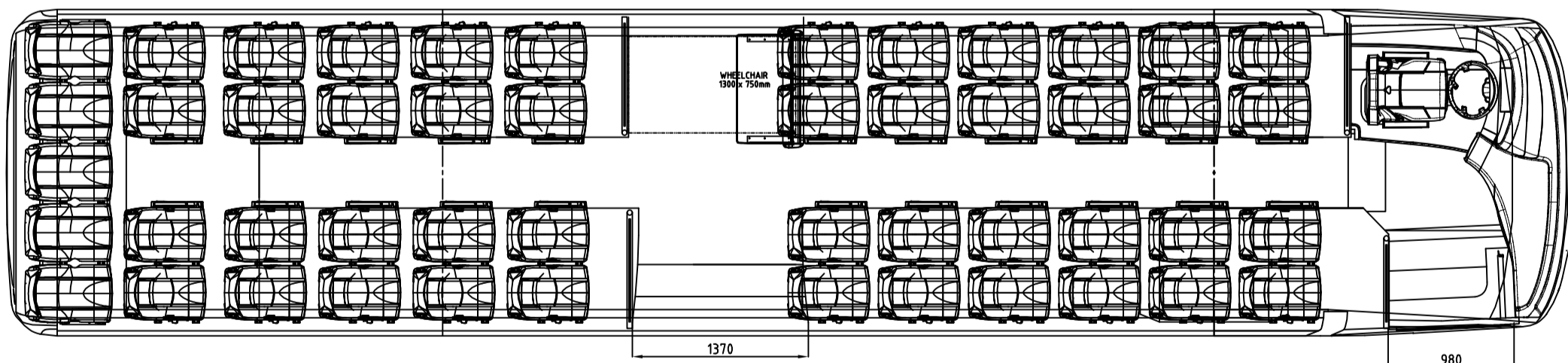


Code	DA000899
Customer	-
Chassis	-
Chassis no:	-
Body type	OMNIPRESS-320
Body no:	-
Layout	-
Designer	KPU
Date	26052011
Rev.	0
Scale	S:S
Draw. no.	DA000899



PRELIMINARY LAYOUT

- Chassis - K 4x2 (V3250/V3290)
- Bus length - 12,2m
- Interior dimensions - acc. directive 2001/85
- Number of seats - 51 total number of seats
 - 49 regular seats
 - 0 seats with tilttable attachment
 - 2 folding seats
 - 2 seats for passengers with reduced mobility
 - 1 place for a wheelchair
 - 0 place for a baby carriage
 - 0 folding seat for guide
 - 0 standing passengers
 - 0 drivers cabin
- Free space between seats:
 - Area number 1: 680mm
 - Area number 2: 685mm
 - Area number 3: 680mm
 - Area number 4: 680mm



Code	DA000899
Customer	-
Chassis	-
Chassis no:	-
Body type	OMNIPRESS-320
Body no:	-
Layout	-
Designer	KPU
Date	26052011
Rev.	0
Scale	S:S
Draw. no.	DA000899